



SIGNHOLDERS

PVC Signframes for groundmounted or freestanding sign panels.

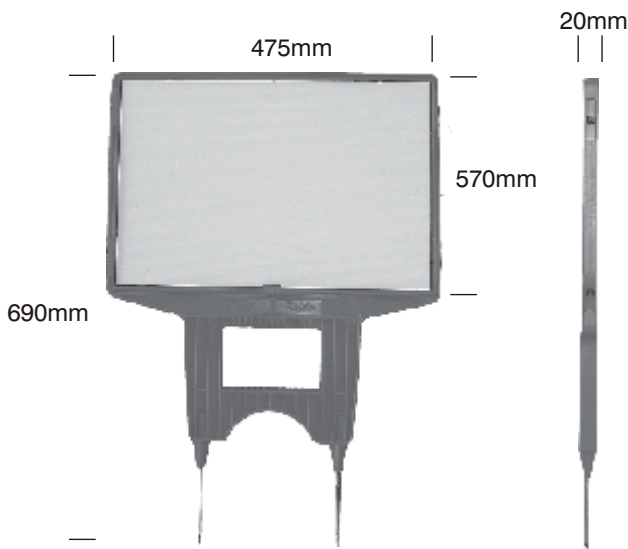
Interested? Please contact us:
Signsation Signs Limited, 84 Porana Road, PO Box 40 177, Glenfield, Auckland
Phone/fax: 0-9-443 4454 Mobile 0274 844 991 info@signsation.co.nz
www.signsation.co.nz



SIGNHOLDERS

- a tidy, cost effective way to display flute sign panels.

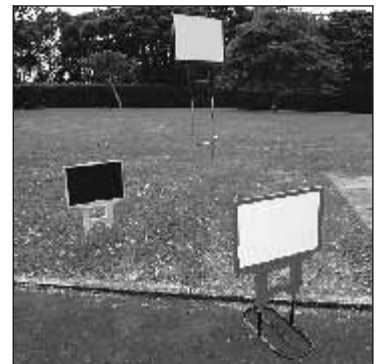
Signholder signframes are designed to display 3mm flute panels which can be changed out easily if required. Moulded in durable UV resistant PVC and available in 5 standard colours - White, Black, Yellow, Red and Dark Blue. Signholders can also be used on paved areas when used with the hardstand frame or raised higher by using the highriser stand. Extra effective when used in sequence.



Panel size - 450mm x 300mm
Panel colours: Black, White, Yellow



Spike into ground



Hardstand and Highriser options available



Change message panels easily



Use in sequence

Disclaimer: Brand identities depicted in this brochure are for illustration purposes only. It is not intended or implied the brand identities featured necessarily endorse or use these products.

Interested? Please contact us:
Signsation Signs Limited, 84 Porana Road, PO Box 40 177, Glenfield, Auckland
Phone/fax: 0-9-443 4454 Mobile 0274 844 991 info@signsation.co.nz
www.signsation.co.nz

